

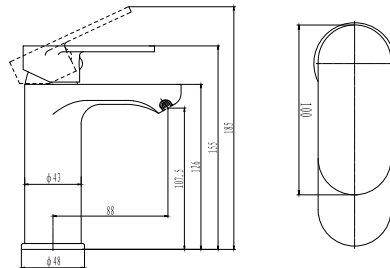


BASIN MIXER

SL220EV

Deck type basin mixer:
One hole, single lever, smile aerator, 35mm citec cartridge, tubular fixation kit, 2 x 450mm x 15mm flexible connectors, DZR brass, Ni: 8-10 Cr: 0.25-0.3, EPDM o-rings.

SABS 1480 (BS EN 1286)

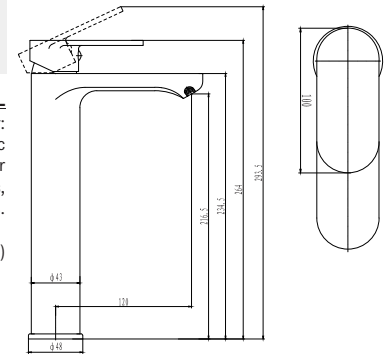


HIGH RISE BASIN MIXER

SL220EVL

High rise basin mixer:
One hole, single lever, smile aerator, 35mm citec cartridge, 2 x copper tube extensions, tubular fixation kit, 2 x 450mm x 15mm flexible connectors, DZR brass, Ni: 8-10 Cr: 0.25-0.3, EPDM o-rings.

SABS 1480 (BS EN 1286)

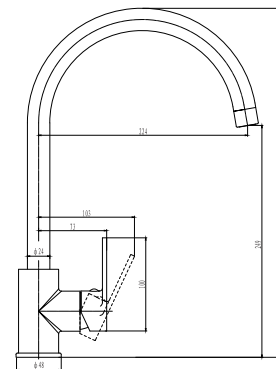


SINK MIXER

SL301EV

Deck type sink mixer:
One hole, single lever, high swivel spout, easy-clean aerator, 35mm citec cartridge, tubular fixation kit, 2 x 450mm x 15mm flexible connectors, DZR brass, Ni: 8-10 Cr: 0.25-0.3, EPDM o-rings.

SABS 1480 (BS EN 1286)

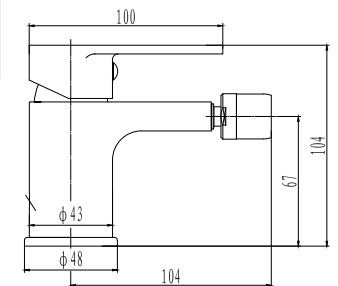


BIDET MIXER

SL240EV

Bidet mixer:
One hole, single lever, easy-clean aerator, 35mm citec cartridge, tubular fixation kit, 2 x 450mm x 15mm flexible connectors, DZR brass, Ni: 8-10 Cr: 0.25-0.3, EPDM o-rings.

SABS 1480 (BS EN 1286)



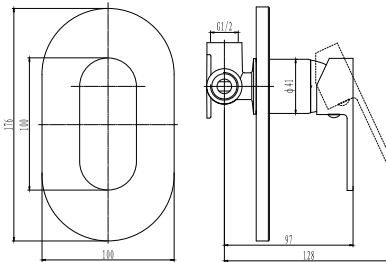


CONCEALED BATH / SHOWER MIXER

SL100EV

Bath/Shower concealed mixer:
Sliding CP cover plate, 35mm citec cartridge, 2 x G1/2" FI inlets & 1 x G1/2" FI outlet, DZR brass, Ni: 8-10 Cr: 0.25-0.3, EPDM o-rings.

SABS 1480 (BS EN 1286)

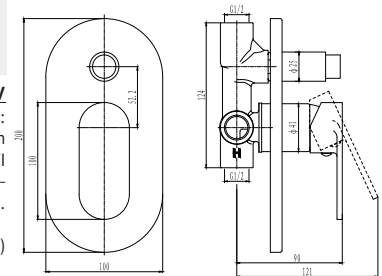


CONCEALED BATH / SHOWER DIVERTER MIXER

SL105EV

Bath/Shower concealed diverter mixer:
Sliding CP cover plate, diverter push button, 35mm citec cartridge, 2 x G1/2" FI inlets & 2 x G1/2" FI outlets, DZR brass, Ni: 8-10 Cr: 0.25-0.3, EPDM o-rings.

SABS 1480 (BS EN 1286)

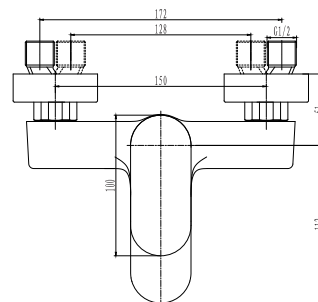


COMPLETE BATH MIXER

SL120EVW

Exposed wall type bath mixer:
Two hole, single lever, with Diverter, G1/2" s-connectors adjustable from 128mm - 172mm centres. Supplied with hand shower, hose, wall bracket, 35mm citec cartridge, easy-clean aerator, DZR brass, Ni: 8-10 Cr: 0.25-0.3, EPDM o-rings.

SABS 1480 (BS EN 1286)

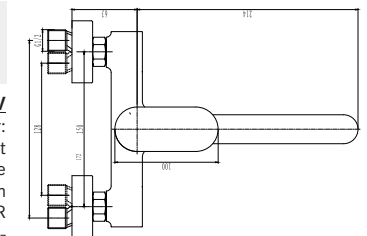


WALL TYPE SINK MIXER

SL210EV

Wall type sink mixer:
Two hole, single lever, swivel spout 214mm, G1/2" s-connectors adjustable from 128mm - 172mm centres, 35mm citec cartridge & easy-clean aerator, DZR brass, Ni: 8-10 Cr: 0.25-0.3, EPDM o-rings.

SABS 1480 (BS EN 1286)



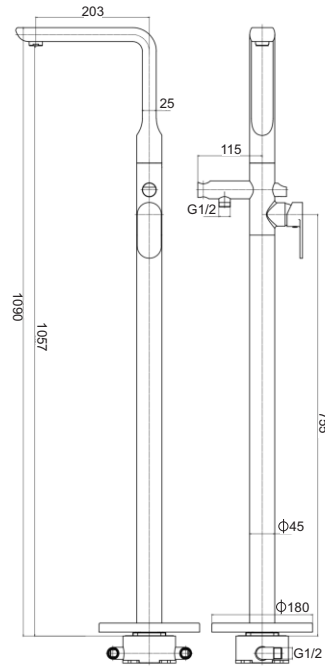


FREESTANDING BATH MIXER

SL500EV

Freestanding bath mixer:
35mm citec cartridge, 2 x G1/2" FI inlets &
1 x G1/2" FI outlet, DZR brass,
Ni: 8-10 Cr: 0.25-0.3, EPDM o-rings.

SABS 1480 (BS EN 1286)



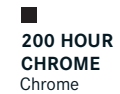
1. Citec cartridge

CITEC CARTRIDGES INCLUDE HIGH QUALITY CERAMIC DISKS WHICH ALLOW FOR SMOOTH ADJUSTMENT WHEN CHANGING THE TEMPERATURE & FLOW RATE OF THE WATER.



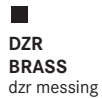
4. Chrome finish

A SUPERIOR CHROMING TECHNIQUE PROVIDES A BEAUTIFUL AESTHETIC APPEARANCE, EXCELLENT CORROSION RESISTANCE & AN EASIER SURFACE TO CLEAN.



2. DZR brass

HIGH-GRADE DZR BRASS IS RESISTANT TO DEZINCIFICATION, A FORM OF CORROSION. THIS ENSURES THE MEISSEN PRODUCTS HAVE BETTER LONGEVITY.



5. Base plate

USED TO ALLOW FOR BETTER COVERAGE OF BASIN TAP HOLE.



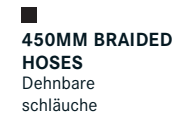
3. Easy tubular fixations

PROVIDES THE INSTALLER WITH AN EASIER INSTALLATION; SIMPLY TIGHTEN THE FIXATION BY HAND. NO TOOLS REQUIRED.



6. 450mm braided hoses

PROVIDES MORE THAN ADEQUATE LENGTH FOR THE INSTALLER IN ORDER TO CONNECT TO THE WATER INLET SUPPLY.



15 YEAR GUARANTEE



