

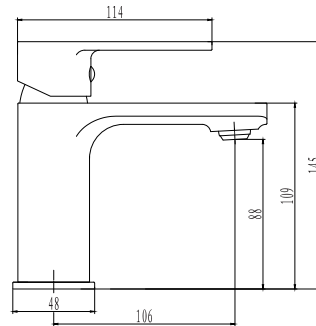


BASIN MIXER

**SL220SN**

Deck type basin mixer:  
One hole, single lever, easy-clean aerator, 35mm citec cartridge, tubular fixation kit, 2 x 450mmx15mm flexible connectors, DZR brass, Ni: 8-10 Cr: 0.25-0.3, EPDM o-rings.

SABS 1480 (BS EN 1286)

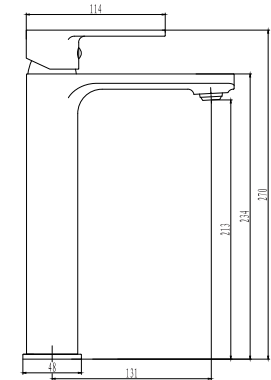


HIGH RISE BASIN MIXER

**SL220SNL**

High rise basin mixer:  
One hole, single lever, easy-clean aerator, 35mm citec cartridge, 2 x copper tube extensions, tubular fixation kit, 2 x 450mmx15mm flexible connectors, DZR brass, Ni: 8-10 Cr: 0.25-0.3, EPDM o-rings.

SABS 1480 (BS EN 1286)

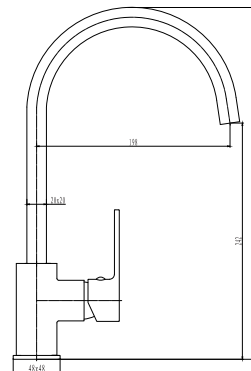


SINK MIXER

**SL301SN**

Deck type sink mixer:  
One hole, single lever, high swivel spout, easy-clean aerator, 35mm citec cartridge, tubular fixation kit, 2 x 450mmx15mm flexible connectors, DZR brass, Ni: 8-10 Cr: 0.25-0.3, EPDM o-rings.

SABS 1480 (BS EN 1286)

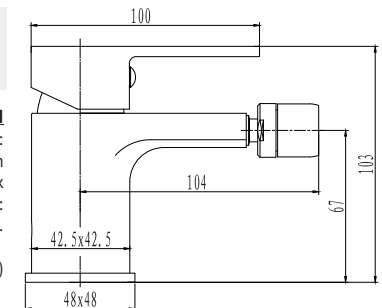


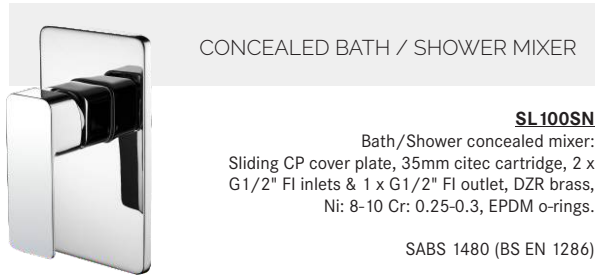
BIDET MIXER

**SL240SN**

Bidet mixer:  
One hole, single lever, easy-clean aerator, 35mm citec cartridge, tubular fixation kit, 2 x 450mmx15mm flexible connectors, DZR brass, Ni: 8-10 Cr: 0.25-0.3, EPDM o-rings.

SABS 1480 (BS EN 1286)



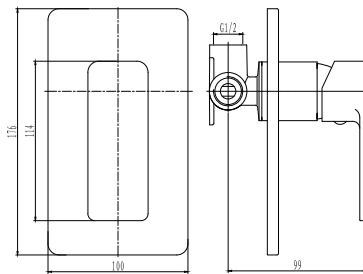


CONCEALED BATH / SHOWER MIXER

**SL100SN**

Bath/Shower concealed mixer:  
Sliding CP cover plate, 35mm citec cartridge, 2 x G1/2" FI inlets & 1 x G1/2" FI outlet, DZR brass, Ni: 8-10 Cr: 0.25-0.3, EPDM o-rings.

SABS 1480 (BS EN 1286)

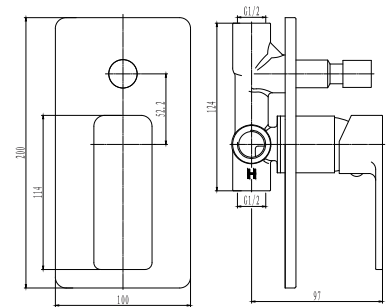


CONCEALED BATH / SHOWER DIVERTER MIXER

**SL105SN**

Bath/Shower concealed diverter mixer:  
Sliding CP cover plate, diverter push button, 35mm citec cartridge, 2 x G1/2" FI inlets & 2 x G1/2" FI outlets, DZR brass, Ni: 8-10 Cr: 0.25-0.3, EPDM o-rings.

SABS 1480 (BS EN 1286)

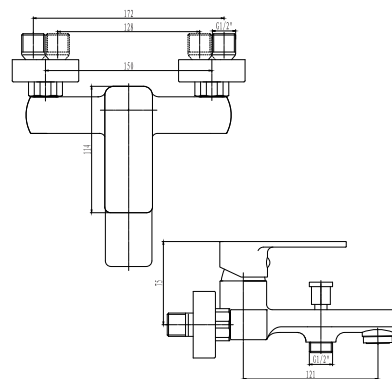


COMPLETE BATH MIXER

**SL120SNW**

Exposed wall type bath mixer:  
Two hole, single lever, with Diverter, G1/2" s-connectors adjustable from 128mm - 172mm centres. Supplied with hand shower, hose, wall bracket, 35mm citec cartridge, easy-clean aerator, DZR brass, Ni: 8-10 Cr: 0.25-0.3, EPDM o-rings.

SABS 1480 (BS EN 1286)

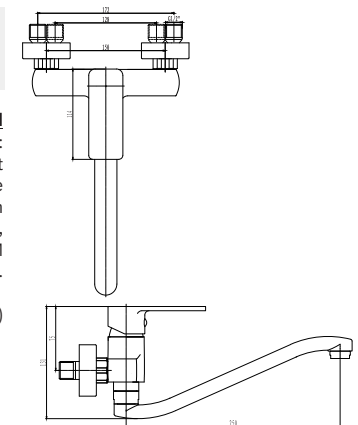


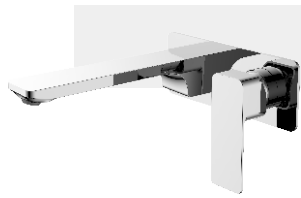
WALL TYPE SINK MIXER

**SL210SN**

Wall type sink mixer:  
Two hole, single lever, swivel spout 250mm, G1/2" s-connectors adjustable from 128mm - 172mm centres, 35mm citec cartridge & easy-clean aerator, DZR brass, Ni: 8-10 Cr: 0.25-0.3, EPDM o-rings.

SABS 1480 (BS EN 1286)

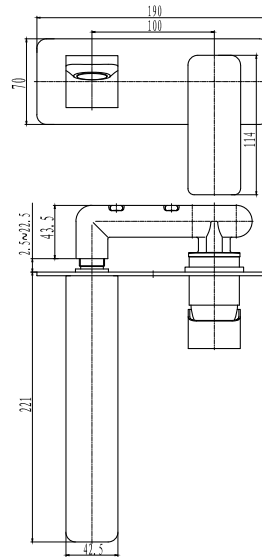




WALL MOUNTED BASIN MIXER

**SL220SNW**  
Wall mounted basin mixer:  
35mm citec cartridge, DZR brass,  
Ni: 8-10 Cr: 0.25-0.3

SABS 1480 (BS EN 1286)



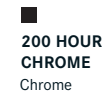
### 1. Citec cartridge

CITEC CARTRIDGES INCLUDE HIGH QUALITY CERAMIC DISKS WHICH ALLOW FOR SMOOTH ADJUSTMENT WHEN CHANGING THE TEMPERATURE & FLOW RATE OF THE WATER.



### 5. Chrome finish

A SUPERIOR CHROMING TECHNIQUE PROVIDES A BEAUTIFUL AESTHETIC APPEARANCE, EXCELLENT CORROSION RESISTANCE & AN EASIER SURFACE TO CLEAN.



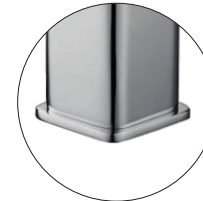
### 2. DZR brass

HIGH-GRADE DZR BRASS IS RESISTANT TO DEZINCIFICATION, A FORM OF CORROSION. THIS ENSURES THE MEISSEN PRODUCTS HAVE BETTER LONGEVITY.



### 6. Base plate

USED TO ALLOW FOR BETTER COVERAGE OF BASIN TAP HOLE.



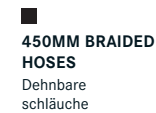
### 3. Easy tubular fixations

PROVIDES THE INSTALLER WITH AN EASIER INSTALLATION; SIMPLY TIGHTEN THE FIXATION BY HAND. NO TOOLS REQUIRED.



### 7. 450mm braided hoses

PROVIDES MORE THAN ADEQUATE LENGTH FOR THE INSTALLER IN ORDER TO CONNECT TO THE WATER INLET SUPPLY.



### 4. Neoperl swivel easy-clean aerator

ALLOWS THE USER TO ORIENTATE THE FLOW DIRECTION & EASILY CLEAN.



15 YEAR GUARANTEE



